

Features

- Dual and single through-hole models available
- Low height of only 6.3 mm
- Matched to leading transceiver ICs
- Lead free version available (see How to Order)

■ Lead free versions are RoHS compliant*

Applications

- Telecom

PT66003 - T1/CEPT Transformer

Electrical Specifications @ 25 °C

Turns Ratio $\pm 5\%$ (I + II : III)	1 CS*:1
OCL (mH min.)	1.2
Interwinding Capacitance	
C _{ww} (pF max.)	25
Leakage Inductance L _s (μ H max.)	0.5
HIPOP 50 Hz for 2 sec. (V _{rms})	
I + II to III	1500
DCR I + II (Ω max.)	0.7
DCR III (Ω max.)	0.7
Operating Temperature (°C)	0 to +70

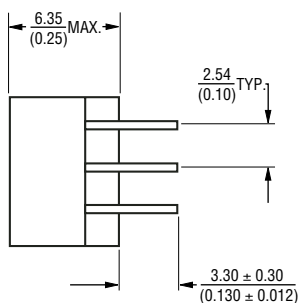
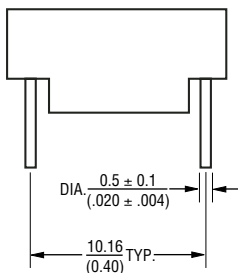
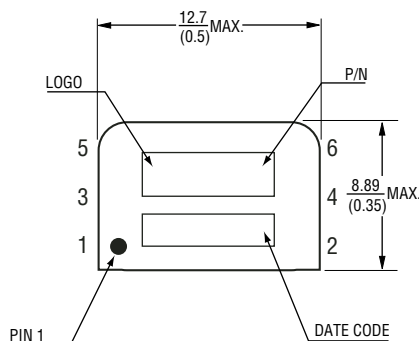
*CS : split center tap

Other OCL specifications available on request.

Packaging Specifications

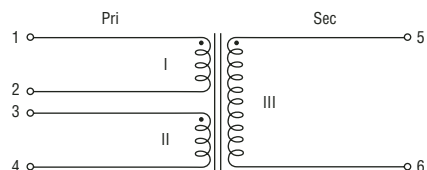
Tube56 pcs./tube

Product Dimensions



DIMENSIONS ARE: $\frac{\text{MM}}{\text{(INCHES)}}$

Electrical Schematic



How to Order

Model PT66003

Termination _____

Blank = Tin-lead
L = Tin only (lead free)